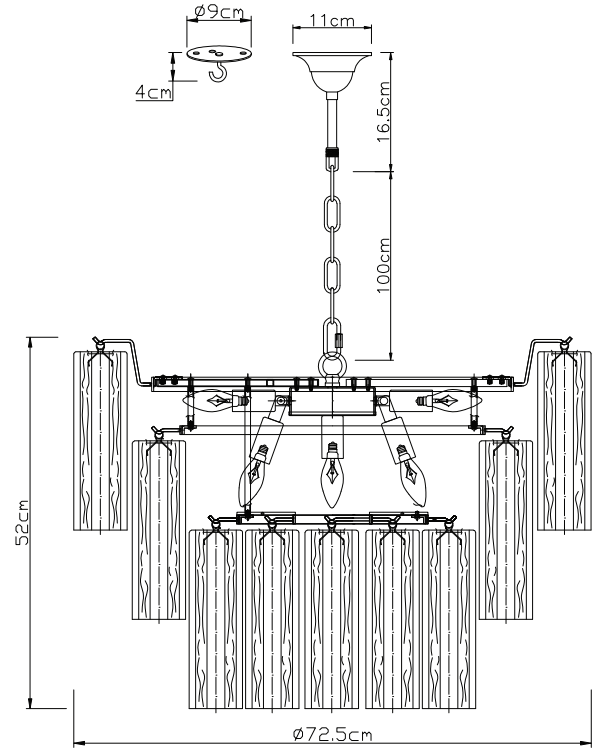





# PURE WHITE LINES

EST. 2012



## Medium Treviso Chandelier

### Technical Specification Sheet

<b>Dimensions</b> excluding rose & chain (cm)	W 72	D 72.5	H 52
<b>Minimum drop</b> (excluding glass & frame)	16.5cm		
<b>Maximum drop</b> (excluding glass & frame)	116.5cm		
<b>Weight</b>	49.9kg		
<b>Product code</b>	PWL94872		
<b>Materials</b>	Plated iron / glass		
<b>Metal Finish</b>	Satin Brass		
<b>Glass colour</b>			
	Amber	Clear	Smoked
			
	Pink		
<b>IP Rating</b>	IP20		
<b>Suitable for dimming</b>	Yes - dimmable bulb is required		
<b>Max wattage</b>	40W (equivalent to 5W LED)		

	<b>Bulb requirements</b>	10 bulbs, E14 (not included)
	<b>Chain length</b>	100cm
	<b>Chain colour</b>	Satin Brass
	<b>Cable length</b>	120cm
	<b>Cable colour</b>	Gold
	<b>Inline switch</b>	n/a
	<b>Ceiling rose Ø</b>	11cm
	<b>Ceiling rose height</b>	5 - 10cm
	<b>Ceiling rose colour</b>	Satin Brass
	<b>Ceiling bracket</b>	L9.8, W1.8, H3.5cm
	<b>Packaging dims</b>	Box 1: W73 x D73 x H34cm Box 2: W105 x D73 x H32cm
	<b>Packaging weight</b>	55.5kg
	<b>Assembly required</b>	Partial
	<b>Care advice</b>	Dust with lint free cloth